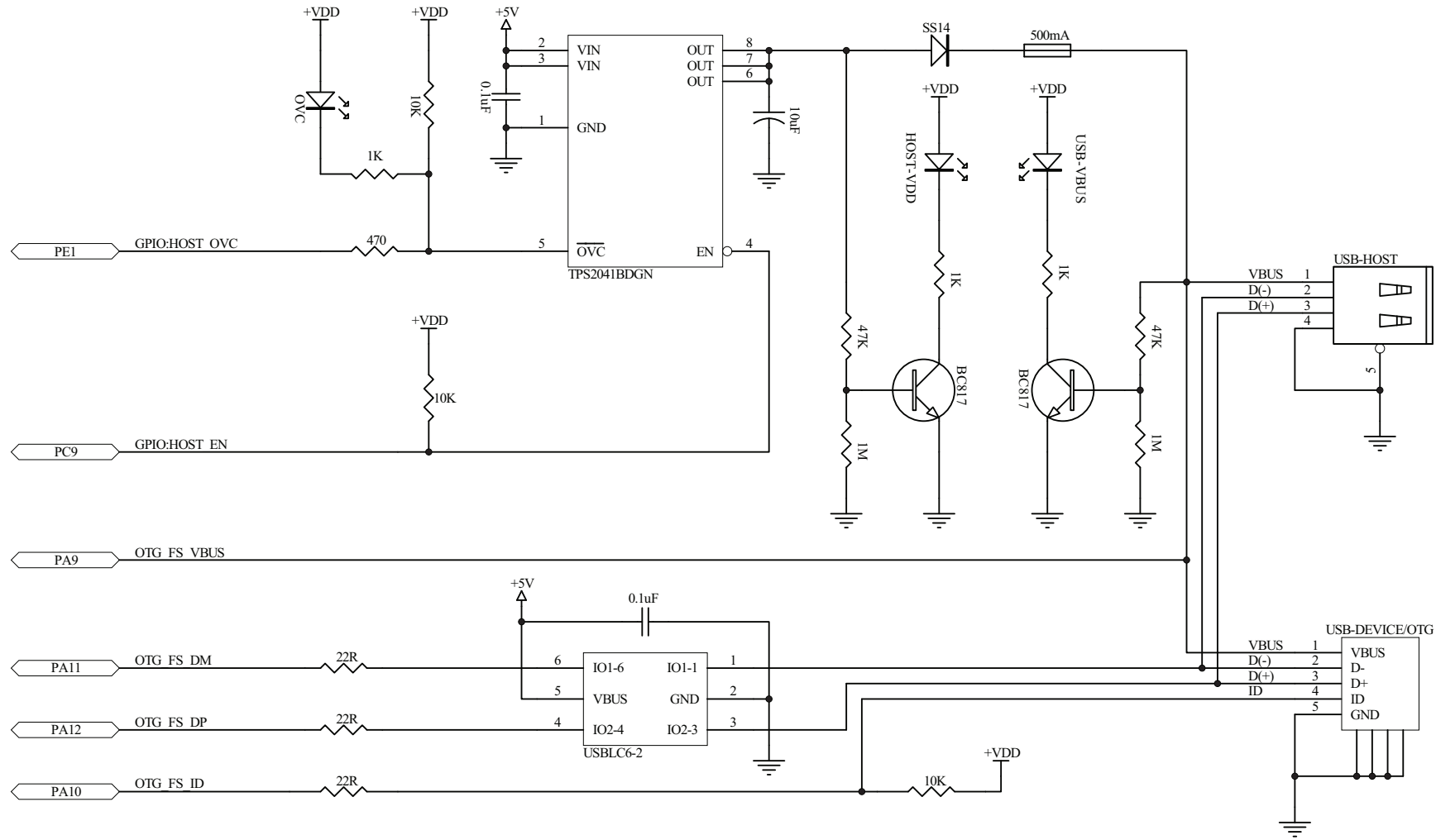
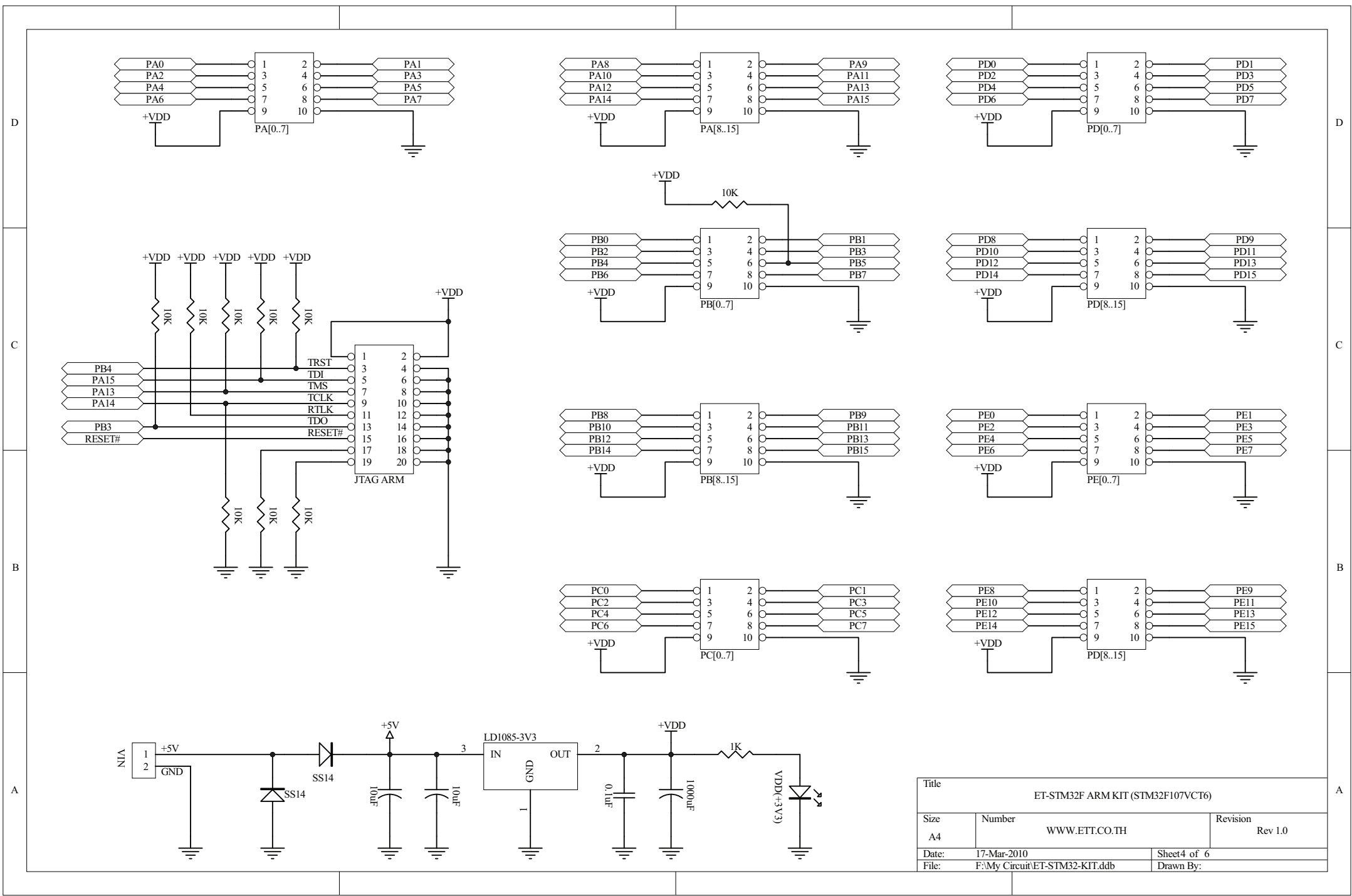


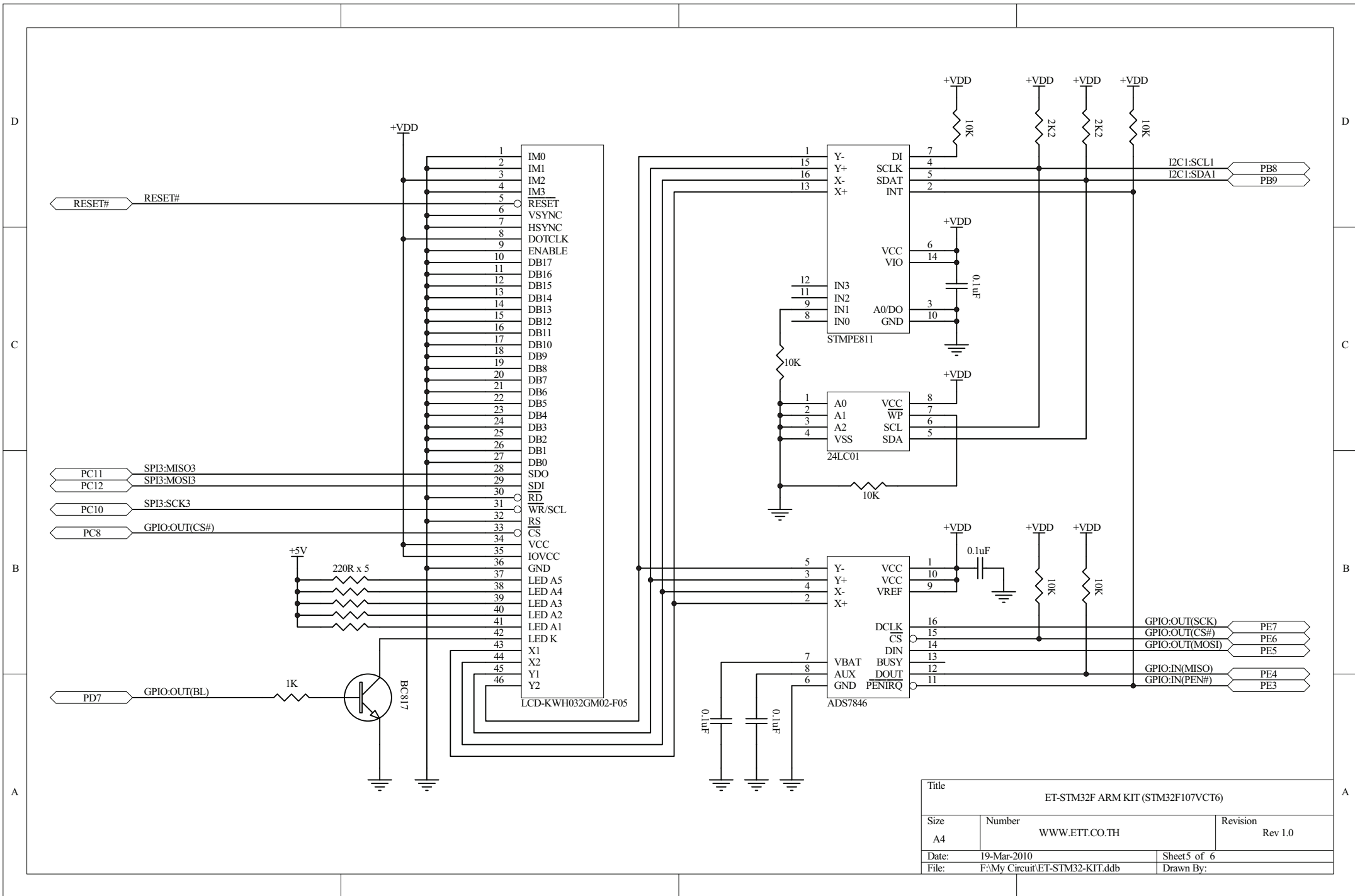
Title			
ET-STM32F ARM KIT (STM32F107VCT6)			
Size	Number	Revision	
A4	WWW.ETT.CO.TH	Rev 1.0	
Date:	17-Mar-2010	Sheet 2 of 6	
File:	F:\My Circuit\ET-STM32-KIT.ddb	Drawn By:	



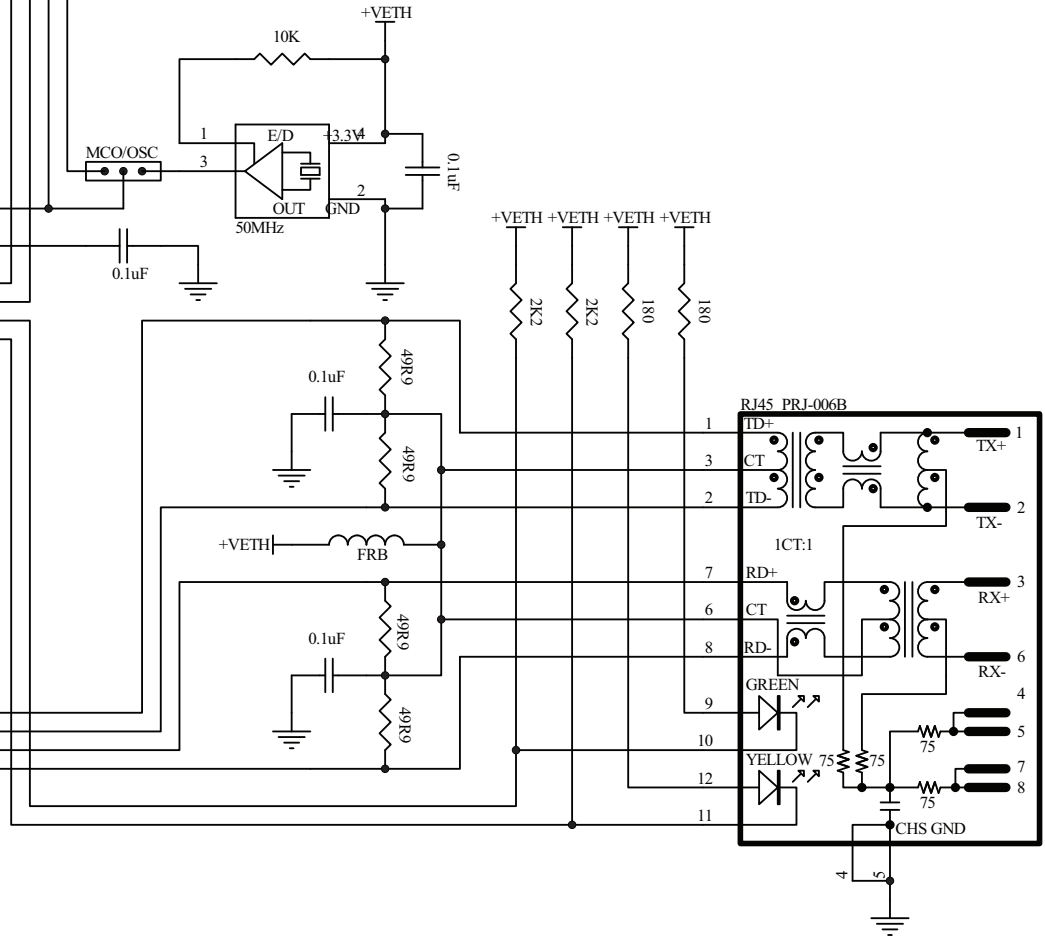
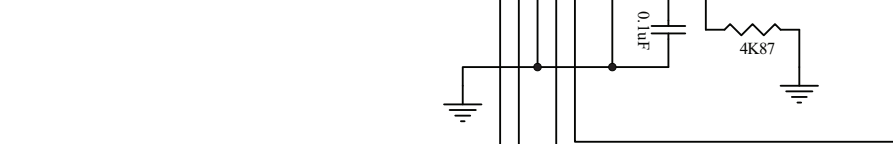
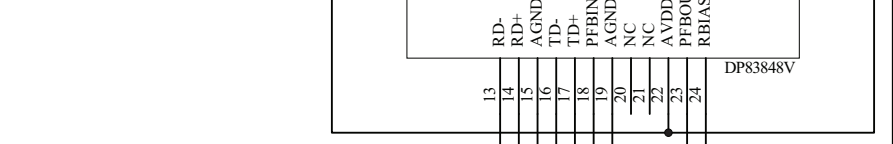
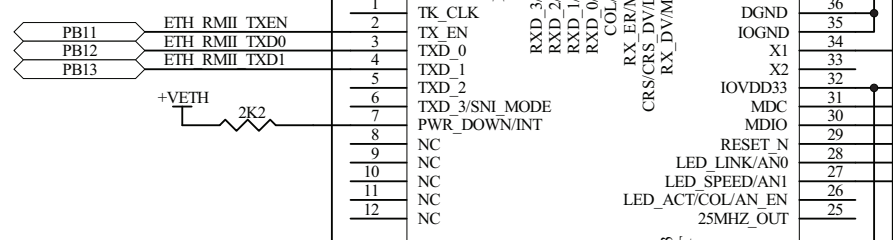
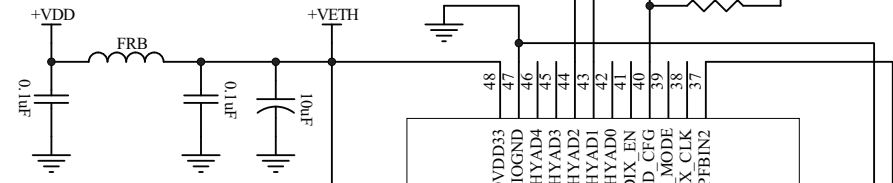
Title			ET-STM32F ARM KIT (STM32F107VCT6)		
Size	Number	Revision			
A4	WWW.ETT.CO.TH	Rev 1.0			
Date:	10-May-2010	Sheet 3 of 6			
File:	F:\My Circuit\ET-STM32-KIT.ddb	Drawn By:			



Title			ET-STM32F ARM KIT (STM32F107VCT6)		
Size	Number	WWW.ETT.CO.TH		Revision	
A4				Rev 1.0	
Date:	17-Mar-2010	Sheet 4 of 6			
File:	F:\My Circuit\ET-STM32-KIT.ddb	Drawn By:			



Title			ET-STM32F ARM KIT (STM32F107VCT6)		
Size	Number	WWW.ETT.CO.TH		Revision	
A4				Rev 1.0	
Date:	19-Mar-2010	Sheet 5 of 6			
File:	F:\My Circuit\ET-STM32-KIT.ddb	Drawn By:			



Title			
ET-STM32F ARM KIT (STM32F107VCT6)			
Size	Number	Revision	
A4	WWW.ET.CO.TH	Rev 1.0	
Date:	17-Mar-2010	Sheet 6 of 6	
File:	F:\My Circuit\ET-STM32-KIT.ddb	Drawn By:	